

## PRODUCT DATA SHEET

Standing: 2023-09-25

LAUDA Ultracool UC 8 W

Circulation chiller 400 V; 3/PE; 50 Hz

Part Number: L003551

### Features

- Highly efficient industrial chiller
- LCD remote control with 5 m cable
- Operation possible via web server
- Electronic 2-point temperature control
- Protection level IP 54 (for outdoor installation)
- Industrial block pump with high pressure and high flow rate
- Integrated water filter
- Integrated Ethernet interface
- Inlet and outlet water connections in stainless steel
- Operates with non flammable liquids (water, water/glycol)
- Meeting the energy efficiency requirements of the EcoDesign directive 2009/125/EC
- Condenser cooling Water



### Options included

- Reinforced pump in stainless steel (5bar)
- Water cooled version (W)



Working temperature min.  
-10 °C



Working temperature max.  
35 °C

LAUDA DR. R. WOBSEY GMBH & CO. KG  
Laudaplatz 1 • 97922 Lauda-Königshofen • DE

T + 49 (0) 9343 503-0  
info@lauda.de • www.lauda.de  
WEEE-Reg.-Nr.: DE 66 42 40 57

Kommanditgesellschaft: Sitz Lauda-Königshofen  
Registergericht Mannheim • HRA 560069

Persönlich haftende Gesellschafterin:  
LAUDA DR. R. WOBSEY Verwaltungs-GmbH  
Sitz Lauda-Königshofen  
Registergericht Mannheim • HRB 560226

Geschäftsführer:  
Dr. Gunther Wobser (Vors.), Dr. Mario Englert,  
Dr. Ralf Hermann, Dr. Marc Stricker  
Beirat: Dr. Gerhard Wobser

## PRODUCT DATA SHEET

Standing: 2023-09-25

LAUDA Ultracool UC 8 W

Circulation chiller 400 V; 3/PE; 50 Hz

Part Number: L003551

### Technical Features

Working temperature range	-10 ... 35 °C
Ambient temperature range	-15 ... 50 °C
Temperature stability	0.5 ± K
Filling volume max.	35 L
Pump Pressure max.	5,6 bar
Pump Pressure nominal	5.3 bar
Pump flow rate max. (pressure)	133 L/min
Pump flow rate nominal	26.6 L/min
In / Outlet connection thread (inside)	Rp 1
Overall dimensions (WxDxH)	720 x 910 x 1280 mm
Weight	150 kg
Noise level	61 dB(A)
Refrigerant stage 1	R-410A (GWP 2088); 1.300 kg; 2.7 t CO <sub>2</sub> -eq
SEPR	8.71
Power supply	400 V; 3/PE; 50 Hz
Power plug	---

Reserve technical changes

LAUDA DR. R. WOBSEY GMBH & CO. KG  
Laudaplatz 1 • 97922 Lauda-Königshofen • DE

T + 49 (0) 9343 503-0  
info@lauda.de • www.lauda.de  
WEEE-Reg.-Nr.: DE 66 42 40 57

Kommanditgesellschaft: Sitz Lauda-Königshofen  
Registergericht Mannheim • HRA 560069

Persönlich haftende Gesellschafterin:  
LAUDA DR. R. WOBSEY Verwaltungs-GmbH  
Sitz Lauda-Königshofen  
Registergericht Mannheim • HRB 560226

Geschäftsführer:  
Dr. Gunther Wobser (Vors.), Dr. Mario Englert,  
Dr. Ralf Hermann, Dr. Marc Stricker  
Beirat: Dr. Gerhard Wobser

## PRODUCT DATA SHEET

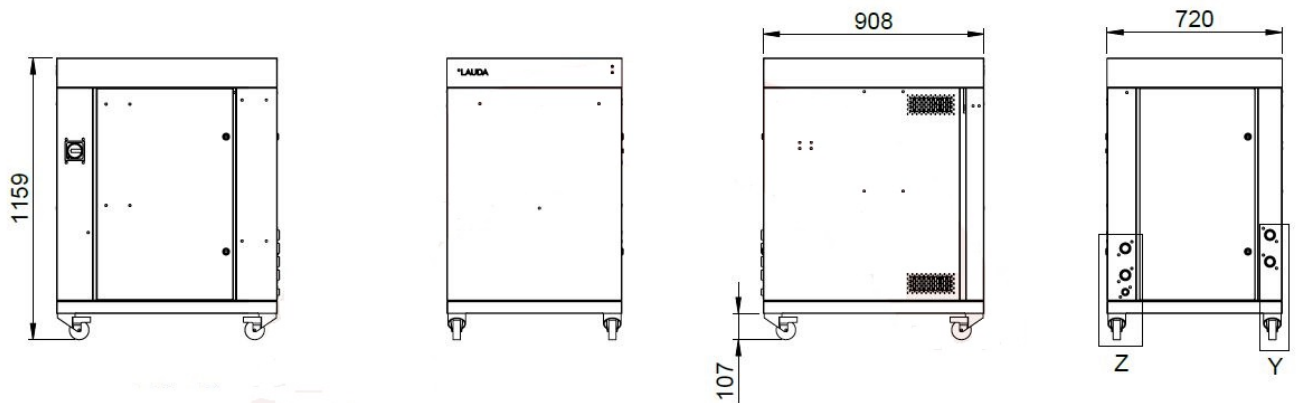
Standing: 2023-09-25

LAUDA Ultracool UC 8 W

Circulation chiller 400 V; 3/PE; 50 Hz

Part Number: L003551

Temperature	Cooling Capacity 50 Hz
25 °C	13.3 kW
20 °C	13.3 kW
15 °C	12 kW
10 °C	10.2 kW
5 °C	8.5 kW
0 °C	7 kW
-5 °C	5.4 kW
-10 °C	4.4 kW



Reserve technical changes

LAUDA DR. R. WOBSEY GMBH & CO. KG  
Laudaplatz 1 • 97922 Lauda-Königshofen • DE

T + 49 (0) 9343 503-0  
info@lauda.de • www.lauda.de  
WEEE-Reg-Nr.: DE 66 42 40 57

Kommanditgesellschaft: Sitz Lauda-Königshofen  
Registergericht Mannheim • HRA 560069

Persönlich haftende Gesellschafterin:  
LAUDA DR. R. WOBSEY Verwaltungs-GmbH  
Sitz Lauda-Königshofen  
Registergericht Mannheim • HRB 560226

Geschäftsführer:  
Dr. Gunther Wobser (Vors.), Dr. Mario Englert,  
Dr. Ralf Hermann, Dr. Marc Stricker  
Beirat: Dr. Gerhard Wobser