

## PRODUCT DATA SHEET

Standing: 2023-09-25

LAUDA Ultracool UC 14 W Circulation chiller  
400 V; 3/PE; 50 Hz & 460 V; 3/PE; 60 Hz  
Part Number: L003291

### Features

- Highly efficient industrial chiller
- LCD remote control with 5 m cable
- Operation possible via web server
- Electronic 2-point temperature control
- Protection level IP 54 (for outdoor installation)
- Industrial block pump with high pressure and high flow rate
- Integrated water filter
- Integrated Ethernet interface
- Inlet and outlet water connections in stainless steel
- Operates with non flammable liquids (water, water/glycol)
- Meeting the energy efficiency requirements of the EcoDesign directive 2009/125/EC
- Condenser cooling Water

### Options included

- Water cooled version (W)



Working temperature min.  
-10 °C



Working temperature max.  
35 °C

LAUDA DR. R. WOBSEY GMBH & CO. KG  
Laudaplatz 1 • 97922 Lauda-Königshofen • DE

T + 49 (0) 9343 503-0  
info@lauda.de • www.lauda.de  
WEEE-Reg.-Nr.: DE 66 42 40 57

Kommanditgesellschaft: Sitz Lauda-Königshofen  
Registergericht Mannheim • HRA 560069

Persönlich haftende Gesellschafterin:  
LAUDA DR. R. WOBSEY Verwaltungs-GmbH  
Sitz Lauda-Königshofen  
Registergericht Mannheim • HRB 560226

Geschäftsführer:  
Dr. Gunther Wobser (Vors.), Dr. Mario Englert,  
Dr. Ralf Hermann, Dr. Marc Stricker  
Beirat: Dr. Gerhard Wobser

# PRODUCT DATA SHEET

Standing: 2023-09-25

LAUDA Ultracool UC 14 W Circulation chiller  
 400 V; 3/PE; 50 Hz & 460 V; 3/PE; 60 Hz  
 Part Number: L003291

## Technical Features

Working temperature range	-10 ... 35 °C
Ambient temperature range	-15 ... 50 °C
Temperature stability	0.5 ± K
Filling volume max.	35 L
Pump Pressure max.	4,2 bar (50 Hz), 6,6 bar (60 Hz)
Pump Pressure nominal	3.7 bar (50 Hz); 6.1 bar (60 Hz)
Pump flow rate max. (pressure)	130 L/min (50 Hz); 167 L/min (60 Hz)
Pump flow rate nominal	43.8 L/min
In / Outlet connection thread (inside)	Rp 1
Overall dimensions (WxDxH)	720 x 910 x 1250 mm
Weight	196 kg
Noise level	64.7 dB(A)
Refrigerant stage 1	R-410A (GWP 2088); 2.000 kg; 4.2 t CO <sub>2</sub> -eq
SEPR	7.14
Power supply	400 V; 3/PE; 50 Hz & 460 V; 3/PE; 60 Hz
Power plug	---

Reserve technical changes

LAUDA DR. R. WOBSEY GMBH & CO. KG  
 Laudaplatz 1 • 97922 Lauda-Königshofen • DE

T + 49 (0) 9343 503-0  
 info@lauda.de • www.lauda.de  
 WEEE-Reg-Nr.: DE 66 42 40 57

Kommanditgesellschaft: Sitz Lauda-Königshofen  
 Registergericht Mannheim • HRA 560069

Persönlich haftende Gesellschafterin:  
 LAUDA DR. R. WOBSEY Verwaltungs-GmbH  
 Sitz Lauda-Königshofen  
 Registergericht Mannheim • HRB 560226

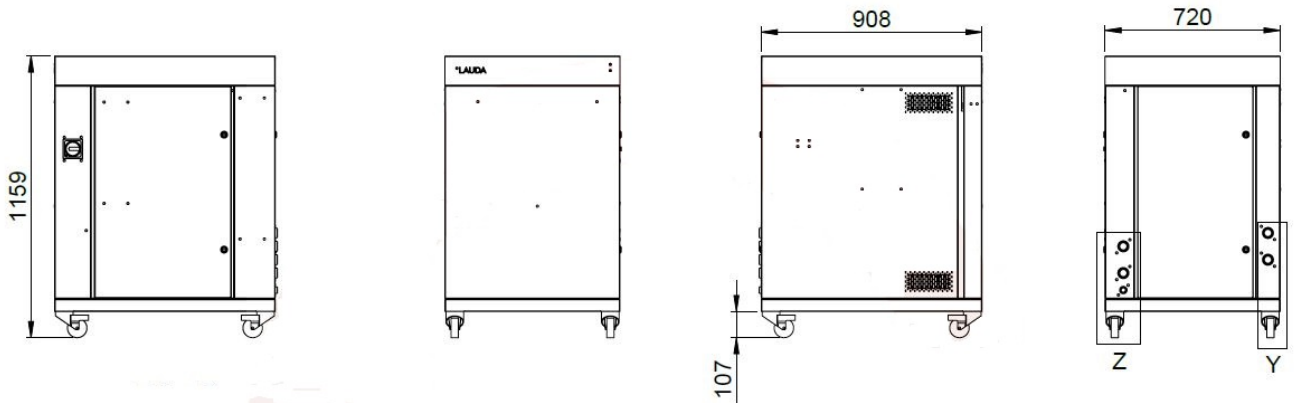
Geschäftsführer:  
 Dr. Gunther Wobser (Vors.), Dr. Mario Englert,  
 Dr. Ralf Hermann, Dr. Marc Stricker  
 Beirat: Dr. Gerhard Wobser

## PRODUCT DATA SHEET

Standing: 2023-09-25

LAUDA Ultracool UC 14 W Circulation chiller  
 400 V; 3/PE; 50 Hz & 460 V; 3/PE; 60 Hz  
 Part Number: L003291

Temperature	Cooling Capacity 50 Hz	Cooling Capacity 60 Hz
25 °C	22.4 kW	22.4 kW
20 °C	20.3 kW	20.3 kW
15 °C	18.4 kW	18.4 kW
10 °C	15.8 kW	15.8 kW
5 °C	13.4 kW	13.4 kW
0 °C	11.1 kW	11.1 kW
-5 °C	9.3 kW	9.3 kW
-10 °C	7.6 kW	7.6 kW



Reserve technical changes

LAUDA DR. R. WOBSEY GMBH & CO. KG  
 Laudaplatz 1 • 97922 Lauda-Königshofen • DE

T + 49 (0) 9343 503-0  
 info@lauda.de • www.lauda.de  
 WEEE-Reg-Nr.: DE 66 42 40 57

Kommanditgesellschaft: Sitz Lauda-Königshofen  
 Registergericht Mannheim • HRA 560069

Persönlich haftende Gesellschafterin:  
 LAUDA DR. R. WOBSEY Verwaltungs-GmbH  
 Sitz Lauda-Königshofen  
 Registergericht Mannheim • HRB 560226

Geschäftsführer:  
 Dr. Gunther Wobser (Vors.), Dr. Mario Englert,  
 Dr. Ralf Hermann, Dr. Marc Stricker  
 Beirat: Dr. Gerhard Wobser